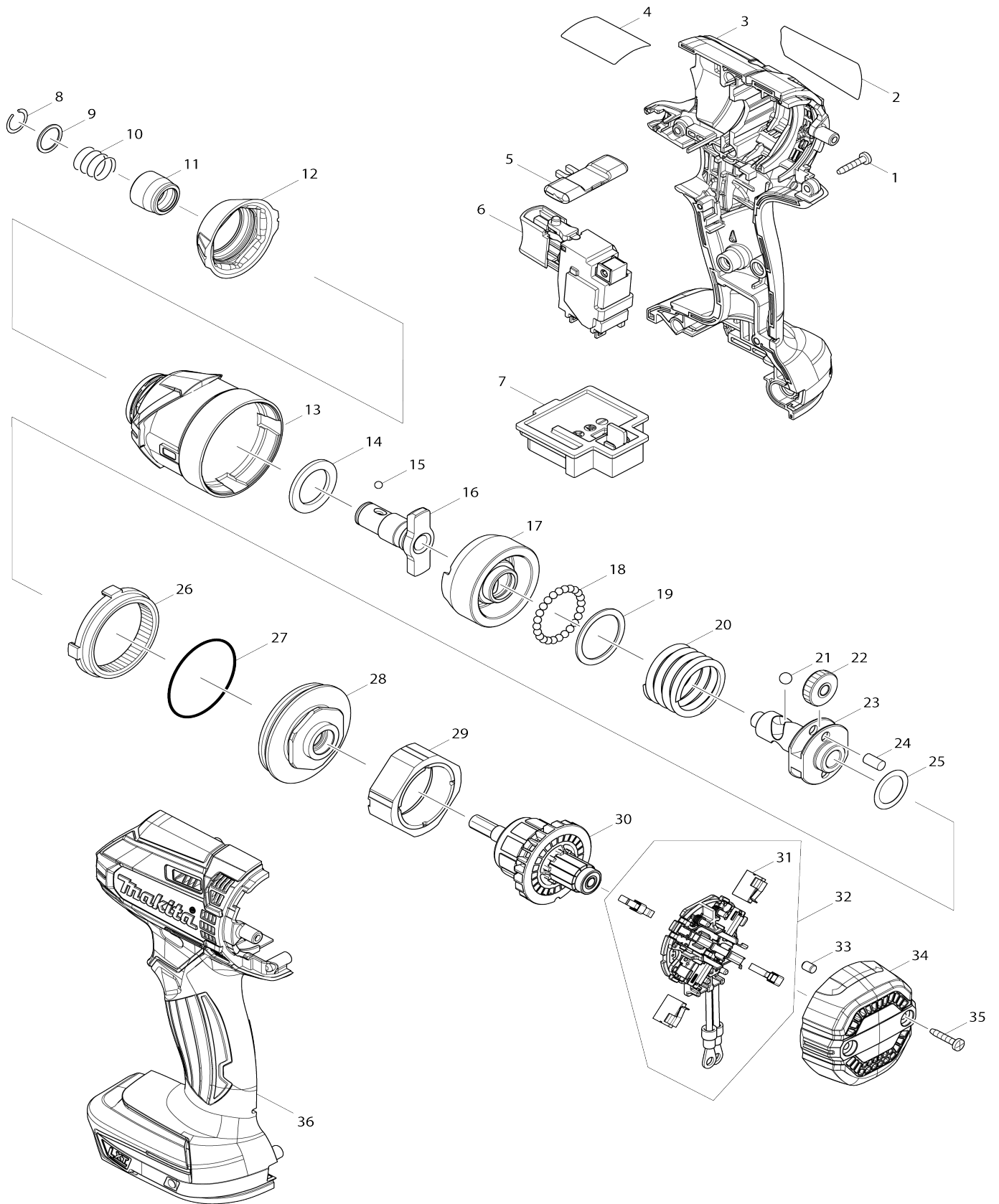


Model No.DTD152 CORDLESS IMPACT DRIVER



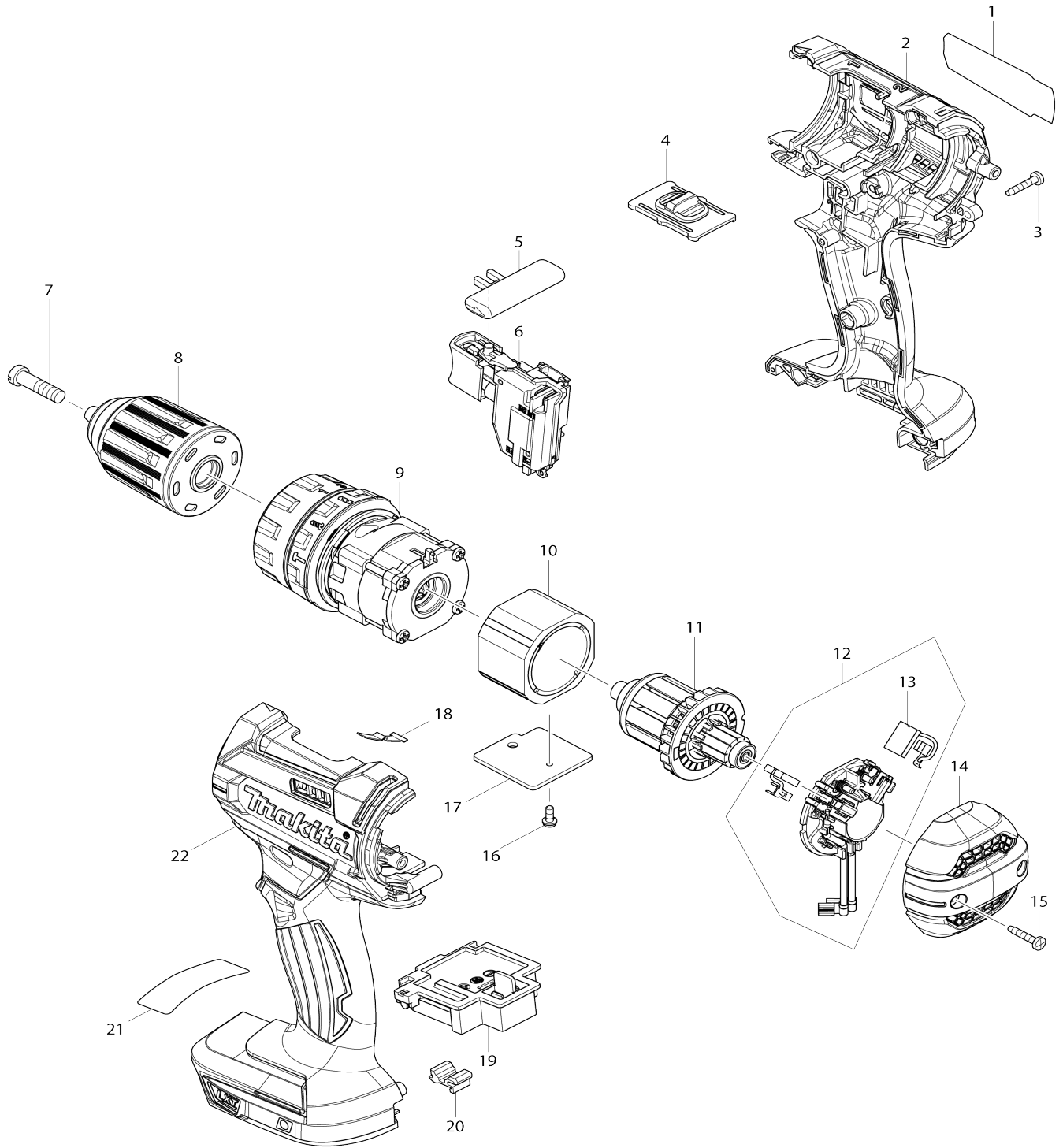
Model No.DTD152 CORDLESS IMPACT DRIVER

Item No.	Parts No.	Description
001	266429-2	TAPPING SCREW 3X16
001-1	266130-9	TAPPING SCREW BIND PT 3X16
002	851E29-7	DTD152 NAME PLATE
003	183B63-4	HOUSING SET
C10	263005-3	RUBBER PIN 6
003		INC. 36
005	455053-8	F/R CHANGE LEVER
006	632F26-6	SWITCH UNIT
C10	620445-2	LED CIRCUIT
C20	688164-6	LINE FILTER
007	643852-2	TERMINAL
008	231951-8	RING SPRING 11
009	267085-1	FLAT WASHER 12
010	233005-7	COMPRESSION SPRING 13
011	326072-0	BIT SLEEVE
012	424738-7	BUMPER
013	143299-5	HAMMER CASE COMPLETE
014	261151-6	NYLON WASHER 19
015	216040-0	STEEL BALL 3.5
016	326565-7	ANVIL M
017	326564-9	HAMMER
018	216040-0	STEEL BALL 3.5
019	267175-0	FLAT WASHER 24
020	234251-5	COMPRESSION SPRING 25
021	216041-8	STEEL BALL 5.6
022	227362-3	SPUR GEAR 22
023	326562-3	SPINDLE
024	256253-1	PIN 5
025	253314-8	THIN WASHER 15
026	227378-8	INTERNAL GEAR 51
027	213507-9	O RING 40
028	143298-7	BEARING BOX COMPLETE
029	638396-5	YOKE UNIT
029-1	632F93-1	YOKE UNIT
030	619377-8	ARMATURE
031	196854-2	CARBON BRUSH CB-448
031-1	196855-0	CARBON BRUSH CB-448
032	632F25-8	BRUSH HOLDER COMPLETE
C10	688172-7	LINE FILTER
C11	688172-7	LINE FILTER
C20	654037-5	INSULATED TERM. FT1.25-M3
032		INC. 31
033	263032-0	RUBBER PIN 4
034	456044-2	REAR COVER
035	266429-2	TAPPING SCREW 3X16
035-1	266130-9	TAPPING SCREW BIND PT 3X16
036	183B63-4	HOUSING SET

C10	263005-3	RUBBER PIN 6
036		INC. 3
A01	346317-0	HOOK
A01E	346449-3	HOOK
A02	266622-8	+ TRUSS HEAD SCREW M4X12
A03	821550-0	CONNECTOR PLASTIC CASE (TYP E2)
C10	453974-8	LATCH
A03	141856-3	PLASTIC CARRYING CASE COMPLETE
C10	162302-3	LATCH
C20	324207-7	SHAFT
C30	451749-9	HANDLE
A04	450128-8	BATTERY COVER
A05	***DC18RC	DC18RC FAST CHARGER
A06D	197265-4	BATTERY BL1840B SET
A06E	197254-9	BATTERY BL1820B SET
A06-1 D	197265-4	BATTERY BL1840B SET
A06-1 E	197254-9	BATTERY BL1820B SET
A06-1 H	197265-4	BATTERY BL1840B SET
A06-1	197600-6	BATTERY BL1830B SET
A06-2 H	197265-4	BATTERY BL1840B SET
A06-2	197600-6	BATTERY BL1830B SET
A07D	837670-0	INNER TRAY
A07E	837862-1	INNER TRAY
A07H	807T12-2	DTD152RME PLASTIC CASE LABEL
A07I	812U65-4	DTD152RFE3 PLASTIC CASE LABEL
A07J	808W36-9	DTD152RFE PLASTIC CASE LABEL
A07-1 H	816M79-7	DTD152RME PLASTIC CASE LABEL
A07-1 I	816M89-4	DTD152RFE3 PLASTIC CASE LABEL
A07-1J	816M87-8	DTD152RFE PLASTIC CASE LABEL
A08D	808J38-7	DTD152RMJ INDICATION LABEL
A08E	808J40-0	DTD152RAJ INDICATION LABEL
A08-1 D	816N02-8	DTD152RMJ INDICATION LABEL
A08-1 E	816N00-2	DTD152RAJ INDICATION LABEL
A09D	808J39-5	DTD152RMJ PLASTIC CASE LABEL
A09E	808J41-8	DTD152RAJ PLASTIC CASE LABEL
A09-1 D	816N03-6	DTD152RMJ PLASTIC CASE LABEL
A09-1 E	816N01-0	DTD152RAJ PLASTIC CASE LABEL
E01	654015-5	EARTH TERMINAL
E02	654501-6	CONNECTOR P-1.25
F02	194281-7	STOPPER SET (W/BITS)
F04	194649-7	BATTERY PROTECTOR
C10	251314-2	+ TRUSS HEAD SCREW M4X12

F05	194654-4	HOOK SET
C10	251314-2	+ TRUSS HEAD SCREW M4X12
C20	324705-1	HOOK

Model No.DHP482 CORDLESS HAMMER DRIVER DRILL



Model No.DHP482 CORDLESS HAMMER DRIVER DRILL

Item No.	Parts No.	Description
001	851E32-8	DHP482 NAME PLATE
001-1	857L25-5	DHP482 NAME PLATE
002	183B65-0	HOUSING SET
C10	263005-3	RUBBER PIN 6
002		INC. 22
003	266429-2	TAPPING SCREW 3X16
003-1	266130-9	TAPPING SCREW BIND PT 3X16
004	123442-2	SPEED CHANGE LEVER ASSEMBLY
C10	233438-6	COMPRESSION SPRING 4
005	419041-9	F/R CHANGE LEVER
006	632F27-4	SWITCH UNIT
C10	620444-4	LED CIRCUIT
C20	688172-7	LINE FILTER
C21	688172-7	LINE FILTER
007	251468-5	- FLAT HEAD SCREW M6X22
008	766027-7	KEYLESS DRILL CHUCK 13
009	123443-0	GEAR ASSEMBLY
010	632F32-1	YOKE UNIT
010-1	632J70-7	YOKE UNIT
010-1	632J70-7	YOKE UNIT
011	619380-9	ARMATURE
011-1	619583-5	ARMATURE
012	632F21-6	BRUSH HOLDER COMPLETE
C10	688172-7	LINE FILTER
C11	688172-7	LINE FILTER
012		INC. 13
013	194427-5	CARBON BRUSH SET CB-440
013-1	195021-6	CARBON BRUSH SET CB-440
014	456099-7	REAR COVER
015	266429-2	TAPPING SCREW 3X16
015-1	266130-9	TAPPING SCREW BIND PT 3X16
016	911006-2	PAN HEAD SCREW M3X8
016-1	652066-2	+PAN HEAD SCREW M3X9 WITH W
016-1	652066-2	+PAN HEAD SCREW M3X9 WITH W
017	689070-8	HEAT SINK
017-1	689262-9	HEAT SINK
018	232182-2	LEAF SPRING
019	644808-8	TERMINAL
020	424476-1	CUSHION
022	183B65-0	HOUSING SET
C10	263005-3	RUBBER PIN 6
022		INC. 2
023	857L26-3	DHP482 SERIAL NO. LABEL
A01	251314-2	+ TRUSS HEAD SCREW M4X12
A02	346317-0	HOOK

A02E	346449-3	HOOK
A03	784637-8	+ - BIT 2-45
A04	821550-0	CONNECTOR PLASTIC CASE (TYP E2)
C10	453974-8	LATCH
A04	141856-3	PLASTIC CARRYING CASE COMPLETE
C10	162302-3	LATCH
C20	324207-7	SHAFT
C30	451749-9	HANDLE
A05	450128-8	BATTERY COVER
A06	***DC18RC	DC18RC FAST CHARGER
A07D	197265-4	BATTERY BL1840B SET
A07E	197254-9	BATTERY BL1820B SET
A07F	197600-6	BATTERY BL1830B SET
A07J	197280-8	BATTERY BL1850B SET
A07-1 D	197265-4	BATTERY BL1840B SET
A07-1 E	197254-9	BATTERY BL1820B SET
A07-1 F	197600-6	BATTERY BL1830B SET
A07-1 G	197265-4	BATTERY BL1840B SET
A07-1	197600-6	BATTERY BL1830B SET
A07-1J	197280-8	BATTERY BL1850B SET
A07-2 G	197265-4	BATTERY BL1840B SET
A07-2	197600-6	BATTERY BL1830B SET
A08	837916-4	INNER TRAY
A08E	837863-9	INNER TRAY
A08F	808Y42-6	DHP482RFE3 PLASTIC CASE LABEL
A08G	807S02-9	DHP482RME PLASTIC CASE LABEL
A08-1 F	816F53-3	DHP482RFE3 PLASTIC CASE LABEL
A08-1 G	816F45-2	DHP482RME PLASTIC CASE LABEL
A08-1 H	816F51-7	DHP482RFE PLASTIC CASE LABEL
A08-1 I	817V69-7	DHP482RF PLASTIC CASE LABEL
A09D	808J15-9	DHP482RMJ INDICATION LABEL
A09E	808J17-5	DHP482RAJ INDICATION LABEL
A09-1 D	816F64-8	DHP482RMJ INDICATION LABEL
A09-1 E	816F66-4	DHP482RAJ INDICATION LABEL
A09-1J	816F83-4	DHP482RT3J INDICATION LABEL
A10D	808J16-7	DHP482RMJ PLASTIC CASE LABEL
A10E	808J18-3	DHP482RAJ PLASTIC CASE LABEL
A10-1 D	816F65-6	DHP482RMJ PLASTIC CASE LABEL
A10-1 E	816F67-2	DHP482RAJ PLASTIC CASE LABEL
A10-1J	816F84-2	DHP482RT3J PLASTIC CASE LABEL

		L
E02	654015-5	EARTH TERMINAL
E03	654501-6	CONNECTOR P-1.25